

61M

JXRZ 61-5.18



GENERAL

PIPE SIZE (ID)	125 mm (5")
BOOM CONTROL VALVE	Proportional (by HAWE)
RADIO REMOTE	Dual Wireless Transmitter System
VIBRATOR	Standard
WATER PUMP	Hydraulic Power 20 bar (290 psi)
WATER TANK	800 L (211 G)
WEAR PARTS	Carbide
POPULAR UPGRADES [†]	<ul style="list-style-type: none"> • LED Boom Light Kit • LED Outrigger Lights • Heated Water Tank • Heated Hydraulic Tank • Air-Cuff • Twin Wall Pipe • 20 Cell Pump Kit

BOOM

NUMBER OF BOOMS	5 Sections
FOLDING TYPE	RZ Fold
VERTICAL HEIGHT	60.2 m (197'6")
HORIZONTAL REACH	55.4 m (181'9")
UNFOLDING HEIGHT	14.8 m (48'9")
1ST SECTION	11.96 m (39'3")
2ND SECTION	9.32 m (30'6")
3RD SECTION	9.89 m (32'5")
4TH SECTION	12.32 m (40'5")
5TH SECTION	12.72 m (41'8")
OUTRIGGER	X-Style
FRONT SPREAD	11.8 m (38'8")
REAR SPREAD	12.6 m (41'4")

[†]More options available, ask your sales rep for details.

PUMP

OUTPUT:	Rod Side	181 m³/h (235 yd³/h)
	Piston Side	122 m³/h (159 yd³/h)
PRESSURE:	Rod Side	85 bar (1233 psi)
	Piston Side	130[‡] bar (1886 psi)
CONCRETE CYLINDER DIAMETER	230 mm (9")	
CONCRETE CYLINDER TYPE	Hard Chromed	
STROKE LENGTH	2100 mm (83")	
S-TUBE SIZE	9" x 7"	
MAIN OIL PUMP	Twin Rexroth Hydromatic A20VLO190	
HYDRAULIC SYSTEM PRESSURE	350 bar (5076 psi)	
LUBE SYSTEM (HOPPER)	Automatic	
SWITCHING SYSTEM	Hydraulic	
HOPPER CAPACITY	Easy Clean 600 L (158 G)	
NUMBER OF STROKES/MIN	34	
OUTPUT CONTROL RANGE	20(26)-181m³/(235yd³/h)	

[‡]Not to be used through boom pipe

Alliance Concrete Pumps Inc. reserves the right to make changes to all specifications

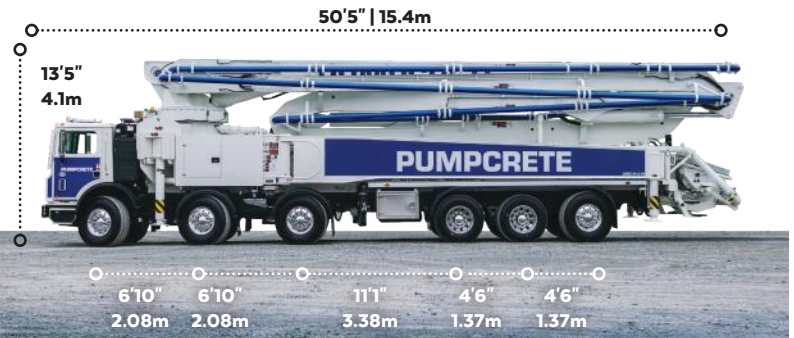
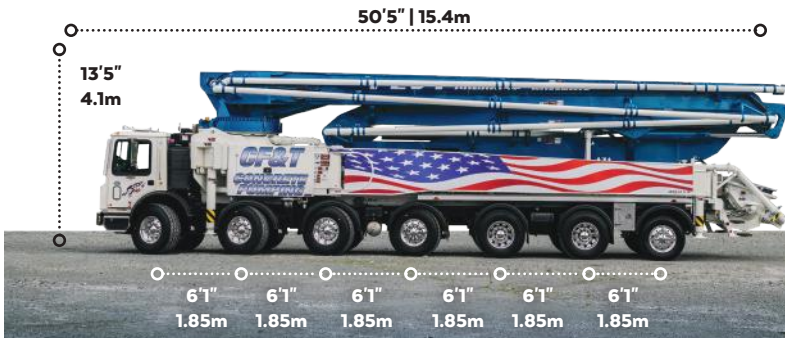
ALLIANCECONCRETEPUMPS.COM



USA OFFICE: 800 West Ridge Road, Linwood, PA 19061
Toll Free 1.888.584.7231 | Phone 610.584.7231 | Fax 610.584.7251

CANADA OFFICE: 26162 30A Avenue, Aldergrove, BC V4W 2W5
Toll Free 1.888.870.0908 | Phone 604.607.0908 | Fax 604.607.0903

61M WEIGHTS/DIMENSIONS

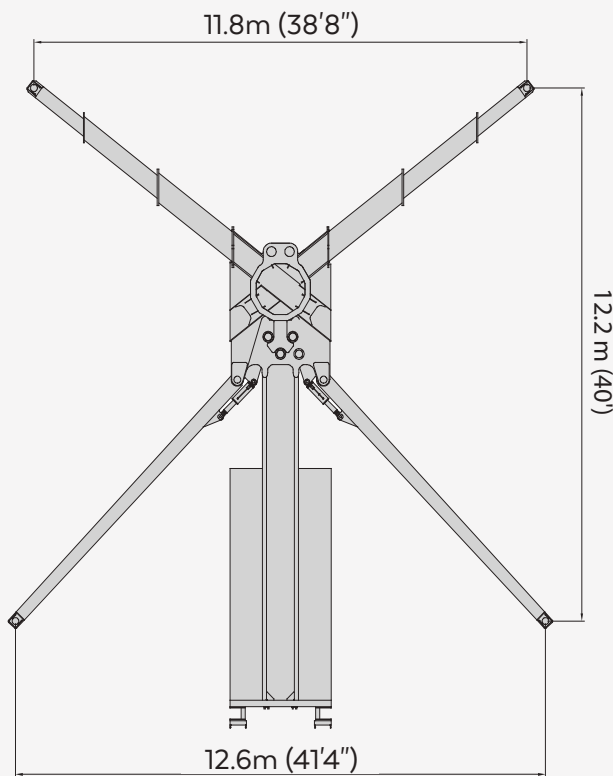


CHASSIS

MAKE/MODEL	FRONT AXLE	REAR AXLE	OVERALL LENGTH	TOTAL WEIGHT
CAB OVER	58,500 lbs	57,100 lbs	50'5"/15.4m	115,600 lbs

DIAGRAMS

OUTRIGGER EXTENSION



BOOM PUMP REACH

