



2011-02-07 VER.2

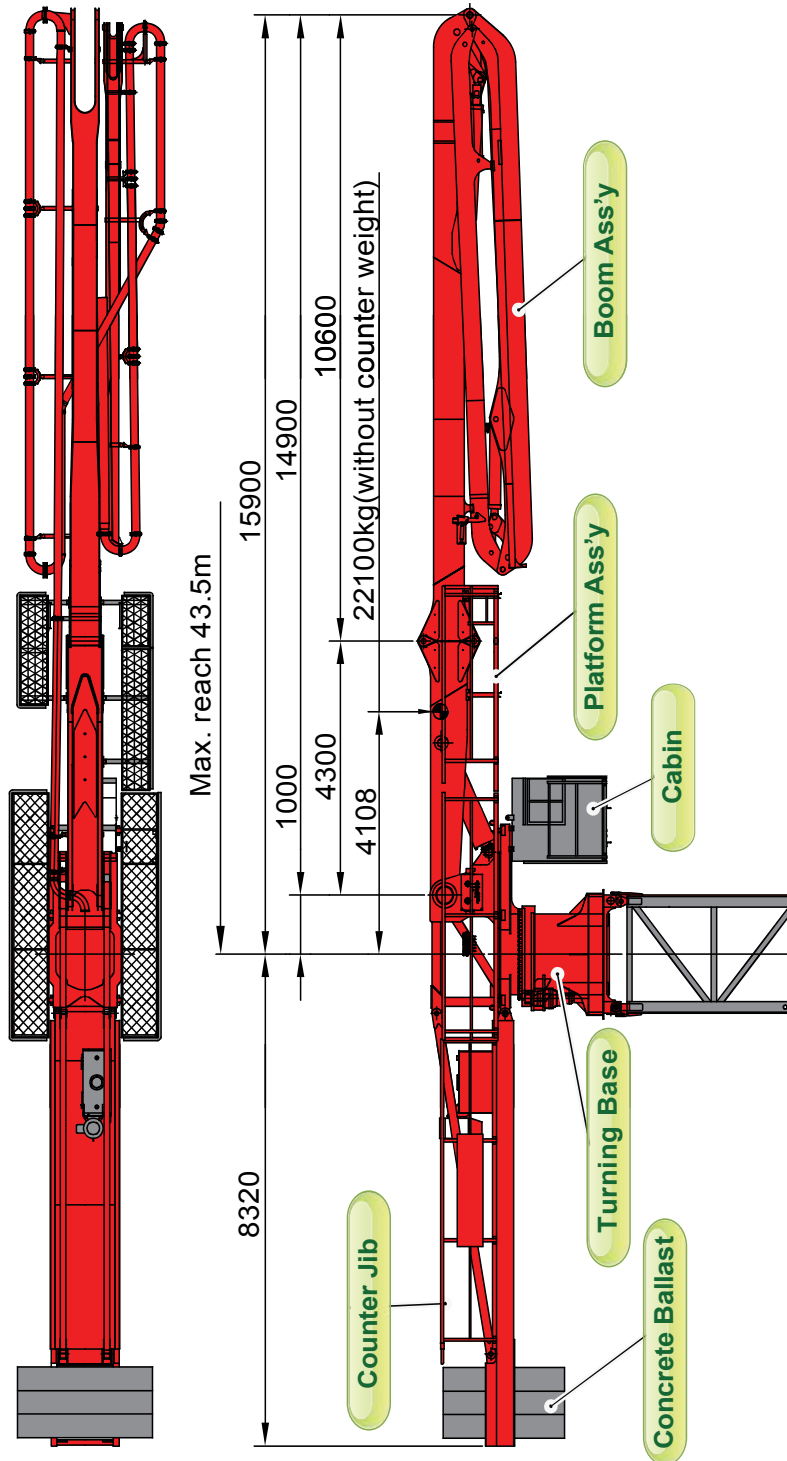
# DATA SHEET

PLACING BOOM



## JB-T44H

Placing System on Tower Mast  
44M 4 Sections R & Fold Designed Boom



\* All technical data are theoretical values and Specification are subject to change without prior notice.  
\* JUNJIN HEAVY INDUSTRY CO., LTD 33 OSEONRI GEUMWANGGEUP EUMSEONGGUN CHUNBUK, KOREA WWW.JUNJIN.COM



2011-02-07 VER.2

# DATA SHEET

PLACING BOOM



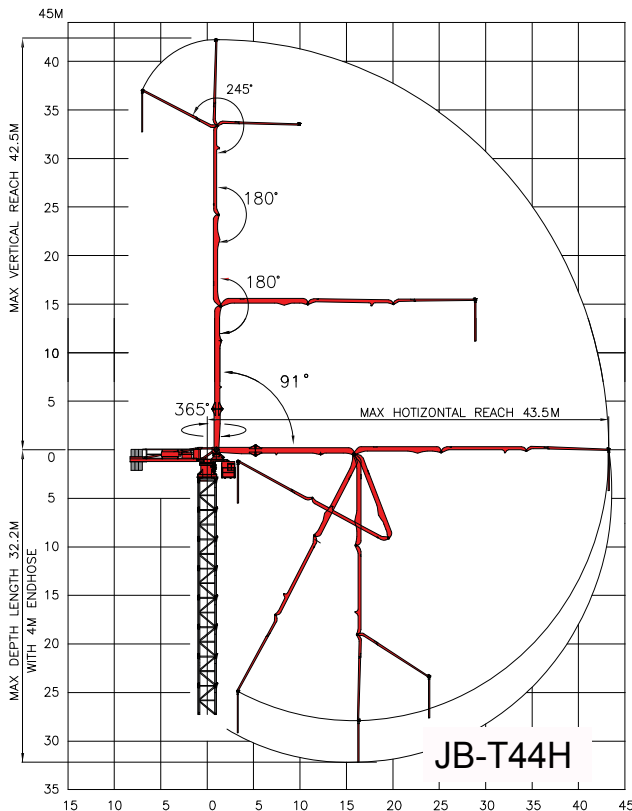
## JB-T44H

Placing System on Tower Mast  
44M 4 Sections R & Fold Designed Boom

### ■ Boom Specification / Technical Specification

Boom Design		R & Fold	Boom Articulation	1st Section	91°
Horizontal Reach		43.5m		2nd Section	180°
Vertical Reach		42.5m		3rd Section	180°
Reach Depth		32.2m		4th Section	245°
Boom Length	1st Section	10.6m	Rotation		365°
	2nd Section	9.4m	Delivery Line		DN 125mm(5")
	3rd Section	9.2m	Electric Power		AC380V / 60Hz
	4th Section	9.0m	Control Systems		Radio-Cable-Manual
End Hose Length		4.0m			

### ■ Working Diagram



\* All technical data are theoretical values and Specification are subject to change without prior notice.  
\* JUNJIN HEAVY INDUSTRY CO.LTD 33 OSEONRI GEUMWANGUEUP EUMSEONGGUN CHUNBUK, KOREA WWW.JUNJIN.COM



2011-02-07 VER.2

# DATA SHEET

PLACING BOOM

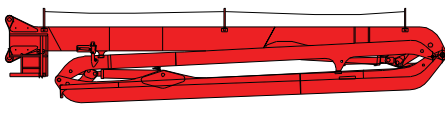


## JB-T44H

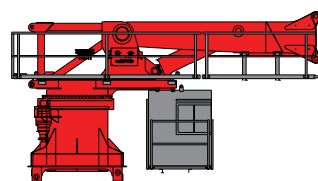
Placing System on Tower Mast  
44M 4 Sections R & Fold Designed Boom

### Standard delivery Scope

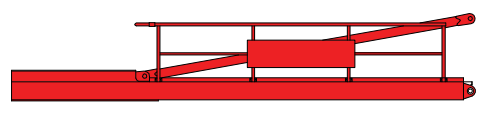
#### ▷ Boom ass'y


<ul style="list-style-type: none"> <li>- Boom Ass'y : 1Set</li> <li>- Total Weight: 8,000 kg</li> </ul>

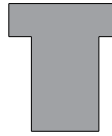
#### ▷ Platform Ass'y / Turning Base / Cabin


<ul style="list-style-type: none"> <li>- Platform Ass'y : 1Set</li> <li>- Turning Base : 1EA</li> <li>- Cabin : 1EA</li> <li>- Total Weight : 11,000 kg</li> </ul>

#### ▷ Counter Jib


<ul style="list-style-type: none"> <li>- Counter Jib : 1 Set</li> <li>- Total Weight : 3,100 kg</li> </ul>

#### ▷ Concrete Ballast


<ul style="list-style-type: none"> <li>- Concrete Ballast : 3 EA</li> <li>- Total Weight : 15,000 kg (3000 kg*3)</li> </ul>

\* All technical data are theoretical values and Specification are subject to change without prior notice.  
 \* JUNJIN HEAVY INDUSTRY CO.LTD 33 OSEONRI GEUMWANGEUP EUMSEONGGUN CHUNBUK, KOREA WWW.JUNJIN.COM