



2011-02-07 VER.2

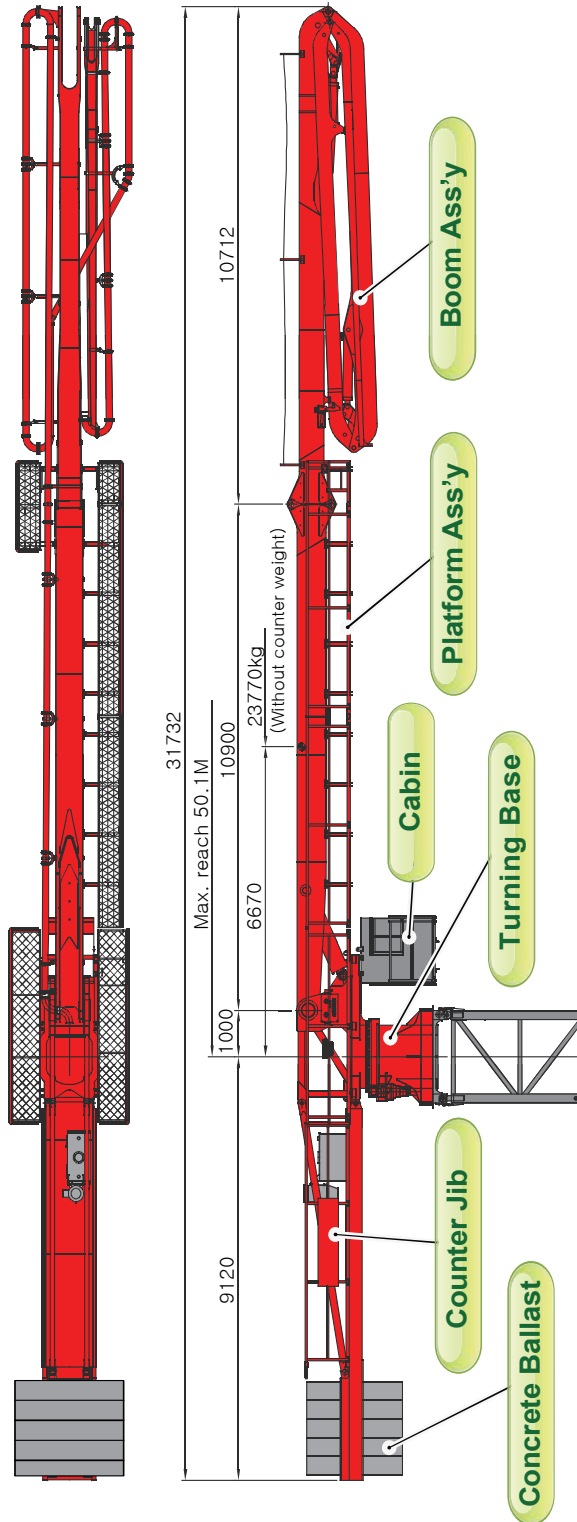
DATA SHEET

PLACING BOOM



JB-T50H

Placing System on Tower Mast
50M 4 Sections R & Fold Designed Boom



* All technical data are theoretical values and Specification are subject to change without prior notice.
* JUNJIN HEAVY INDUSTRY CO.,LTD 33 OSEONRI GEUMWANGGEUP EUMSEONGGUN CHUNBUK, KOREA WWW.JUNJIN.COM



2011-02-07 VER.2

DATA SHEET

PLACING BOOM



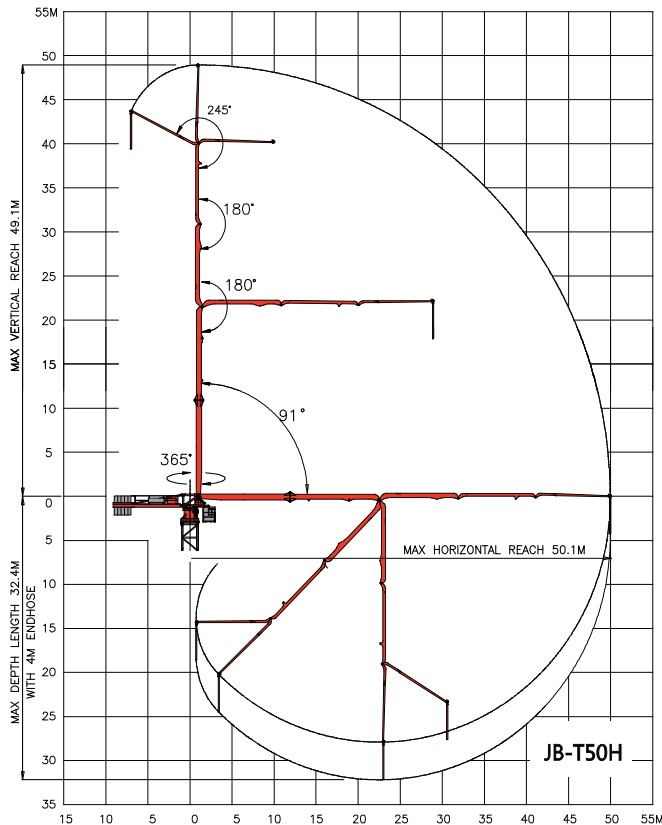
JB-T50H

Placing System on Tower Mast
50M 4 Sections R & Fold Designed Boom

■ Boom Specification / Technical Specification

Boom Design		R & Fold	Boom Articulation	1st Section	91°
Horizontal Reach		50.1m		2nd Section	180°
Vertical Reach		49.1m		3rd Section	180°
Reach Depth		32.4m		4th Section	245°
Boom Length	1st Section	21.5m	Rotation		365°
	2nd Section	9.4m	Delivery Line		DN 125mm(5")
	3rd Section	9.2m	Electric System		AC380V / 60Hz
	4th Section	9.0m	Control Systems		Radio-Cable-Manual
End Hose Length		4.0m			

■ Working Diagram



* All technical data are theoretical values and Specification are subject to change without prior notice.

* JUNJIN HEAVY INDUSTRY CO.LTD 33 OSEONRI GEUMWANGUEP EUMSEONGGUN CHUNBUK, KOREA WWW.JUNJIN.COM



2011-02-07 VER.2

DATA SHEET

PLACING BOOM

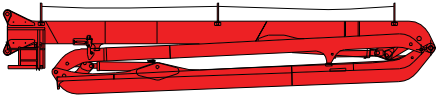


JB-T50H

Placing System on Tower Mast
50M 4 Sections R & Fold Designed Boom

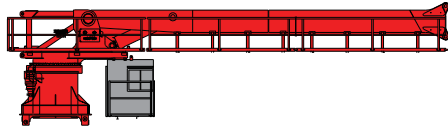
Standard delivery Scope

▷ Boom ass'y



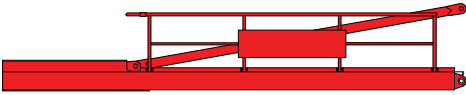
- Boom Ass'y : 1Set
- Total Weight: 8,000 kg

▷ Platform Ass'y / Turning Base / Cabin



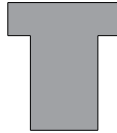
- Platform Ass'y : 1Set
- Turning Base : 1EA
- Cabin : 1EA
- Total Weight : 12,620 kg

▷ Counter Jib



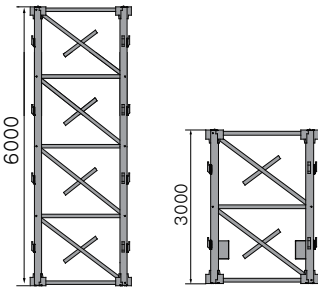
- Counter Jib : 1 Set
- Total Weight : 3,150 kg

▷ Concrete Ballast



- Concrete Ballast : 5 EA
- Total Weight : 15,000 kg (3000 kg*5)

▷ Mast (Option)



- 3m Mast Total Weight
: 3 EA / 5,400kg (1,800kg * 3 EA)

- 6m Mast Total Weight
: 2 EA / 6,800kg (3,400kg * 2 EA)

* All technical data are theoretical values and Specification are subject to change without prior notice.
* JUNJIN HEAVY INDUSTRY CO.LTD 33 OSEONRI GEUMWANGUEP EUMSEONGGUN CHUNBUK, KOREA WWW.JUNJIN.COM



2011-02-07 VER.2

DATA SHEET

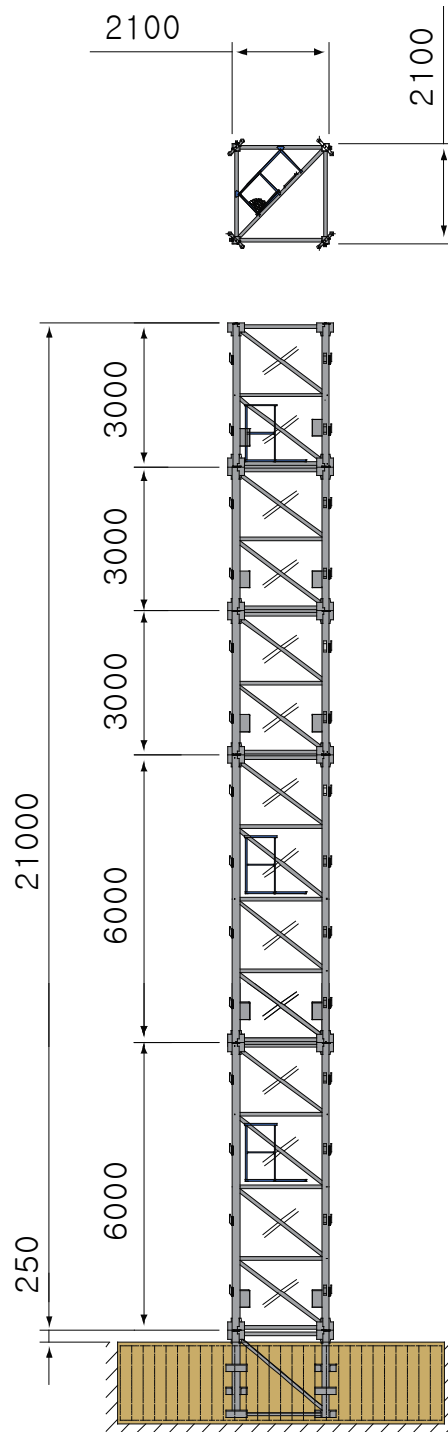
PLACING BOOM



JB-T50H

Placing System on Tower Mast
50M 4 Sections R & Fold Designed Boom

Mast for Placing Boom



* All technical data are theoretical values and Specification are subject to change without prior notice.
* JUNJIN HEAVY INDUSTRY CO.LTD 33 OSEONRI GEUMWANGU EUMSEONGGUN CHUNBUK, KOREA WWW.JUNJIN.COM