

20M

JXZR 20-4.10



GENERAL

PIPE SIZE (ID)	125 mm (5")
BOOM CONTROL VALVE	Proportional (by HAWE)
RADIO REMOTE	Dual Wireless Transmitter System
VIBRATOR	Standard
WATER PUMP	Hydraulic Power 20 bar (290 psi)
WATER TANK	500L (132gal)
WEAR PARTS	Carbide
POPULAR UPGRADES [†]	<ul style="list-style-type: none"> • LED Boom Light Kit • LED Outrigger Lights • Heated Water Tank • Heated Hydraulic Tank • Air-Cuff • Twin Wall Pipe • *12 Cell Pump Kit avail.

BOOM

NUMBER OF BOOMS	4 Sections
FOLDING TYPE	ZR Fold
VERTICAL HEIGHT	20.0m (65'7")
HORIZONTAL REACH	16.2m (53'2")
UNFOLDING HEIGHT	3.98m (12'11")
1ST SECTION	5.5m (18')
2ND SECTION	3.52m (11'6")
3RD SECTION	3.54m (11'7")
4TH SECTION	3.64m(11'11")
FRONT OUTRIGGER	X-Style
REAR OUTRIGGER	Vertical
FRONT SPREAD	3.5m (11'6")
REAR SPREAD	2.5m (8'2")

[†]More options available, ask your sales rep for details.

PUMP

OUTPUT:	Rod Side	96m³/h (126yd³/h)
	Piston Side	63m³/h (82yd³/h)
PRESSURE:	Rod Side	76bar (1102psi)
	Piston Side	112bar (1625psi)
CONCRETE CYLINDER DIAMETER	200mm (8")	
CONCRETE CYLINDER TYPE	Hard chromed	
STROKE LENGTH	1600mm (63")	
S-TUBE SIZE	8" x 7"	
MAIN OIL PUMP	Kawasaki 180cc	
HYDRAULIC SYSTEM PRESSURE	350 bar (5076 psi)	
LUBE SYSTEM (HOPPER)	Automatic	
SWITCHING SYSTEM	Hydraulic	
HOPPER CAPACITY	Easy Clean 600L (158G)	
NUMBER OF STROKES/MIN	31	
OUTPUT CONTROL RANGE	5(7)-96m³/h (126yd³/h)	

[†]Not to be used through boom pipe

Alliance Concrete Pumps Inc. reserves the right to make changes to all specifications

ALLIANCECONCRETEPUMPS.COM



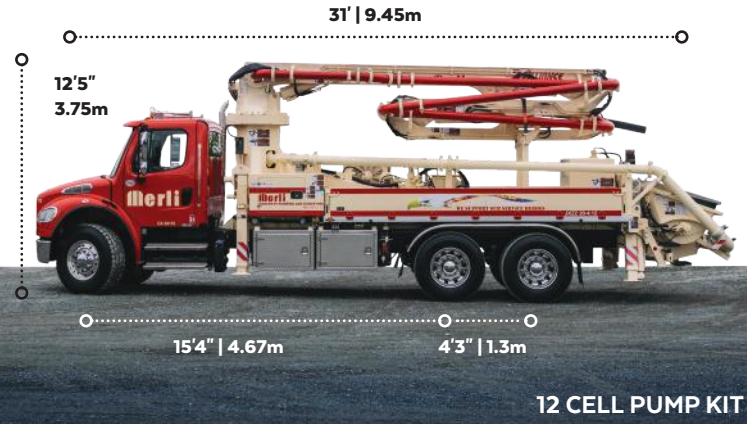
USA OFFICE: 800 West Ridge Road, Linwood, PA 19061

Toll Free 1.888.584.7231 | Phone 610.584.7231

CANADA OFFICE: 26162 30A Avenue, Aldergrove, BC V4W 2W5

Toll Free 1.888.870.0908 | Phone 604.607.0908

20M WEIGHTS/DIMENSIONS

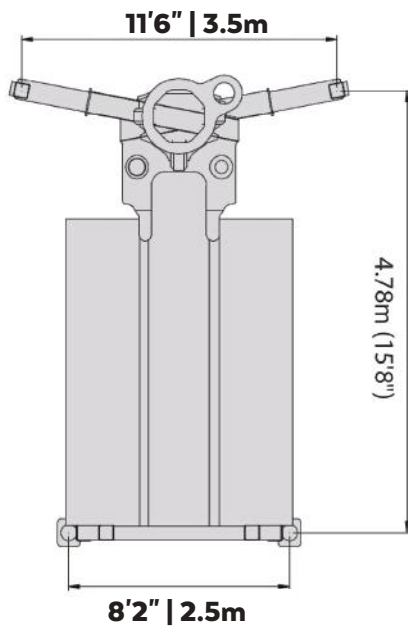


CHASSIS

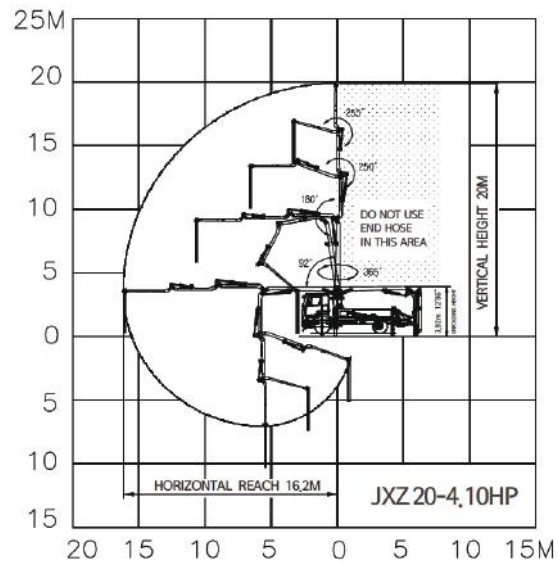
MAKE/MODEL	FRONT AXLE	REAR AXLE	OVERALL LENGTH	TOTAL WEIGHT
SMALL CONVENTIONAL	10,900 lbs	25,650 lbs	31' / 9.45m	36,550 lbs
CAB OVER	16,755 lbs	24,800 lbs	33' / 10.05m	41,555 lbs

DIAGRAMS

OUTRIGGER EXTENSION



BOOM PUMP REACH



UNFOLDING HEIGHT DIAGRAM

