

28M

JXZ 28-4.10



GENERAL

| | |
|--------------------|--|
| PIPE SIZE (ID) | 125 mm (5") |
| BOOM CONTROL VALVE | Proportional (by HAWE) |
| RADIO REMOTE | Dual Wireless Transmitter System |
| VIBRATOR | Standard |
| WATER PUMP | Hydraulic Power 20 bar (290 psi) |
| WATER TANK | 500L (132gal) |
| WEAR PARTS | Carbide |
| POPULAR UPGRADES* | <ul style="list-style-type: none"> • LED Boom Light Kit • LED Outrigger Lights • Heated Water Tank • Heated Hydraulic Tank • Air-Cuff • Twin Wall Pipe • 12 cell Pump Kit • 16 cell Pump Kit |

BOOM

| | |
|------------------|----------------------|
| NUMBER OF BOOMS | 4 Sections |
| FOLDING TYPE | Z Fold |
| VERTICAL HEIGHT | 27.6m (90'7") |
| HORIZONTAL REACH | 23.8m (78'1") |
| UNFOLDING HEIGHT | 6.4m (21') |
| 1ST SECTION | 7.2m (23'7") |
| 2ND SECTION | 5.2m (17'1") |
| 3RD SECTION | 5.4m (17'9") |
| 4TH SECTION | 6.0m (19'8") |
| FRONT OUTRIGGER | X-Style |
| REAR OUTRIGGER | Vertical |
| FRONT SPREAD | 5.6m (18'4") |
| REAR SPREAD | 2.5m (8'2") |

PUMP

| | | |
|----------------------------|---|--|
| OUTPUT: | Rod Side | 96m³/h (126yd³/h) |
| | Piston Side | 63m³/h (82yd³/h) |
| PRESSURE: | Rod Side | 76bar (1102psi) |
| | Piston Side | 112bar (1625psi) |
| CONCRETE CYLINDER DIAMETER | 200mm (8") | |
| CONCRETE CYLINDER TYPE | Hard chromed | |
| STROKE LENGTH | 1600mm (63") | |
| S-TUBE SIZE | 8" x 7" | |
| MAIN OIL PUMP | Kawasaki 180cc | |
| HYDRAULIC SYSTEM PRESSURE | 350 bar (5076 psi) | |
| LUBE SYSTEM (HOPPER) | Automatic | |
| SWITCHING SYSTEM | Hydraulic | |
| HOPPER CAPACITY | Easy Clean 600L (158G) | |
| NUMBER OF STROKES/MIN | 31 | |
| OUTPUT CONTROL RANGE | 5(7)-96m³/h (126yd³/h) | |

*Not to be used through boom pipe

*More options available, ask your sales rep for details.

Alliance Concrete Pumps Inc. reserves the right to make changes to all specifications

ALLIANCECONCRETEPUMPS.COM



USA OFFICE: 800 West Ridge Road, Linwood, PA 19061

Toll Free 1.888.584.7231 | Phone 610.584.7231 | Fax 610.584.7251

CANADA OFFICE: 26162 30A Avenue, Aldergrove, BC V4W 2W5

Toll Free 1.888.870.0908 | Phone 604.607.0908 | Fax 604.607.0903

28M WEIGHTS/DIMENSIONS

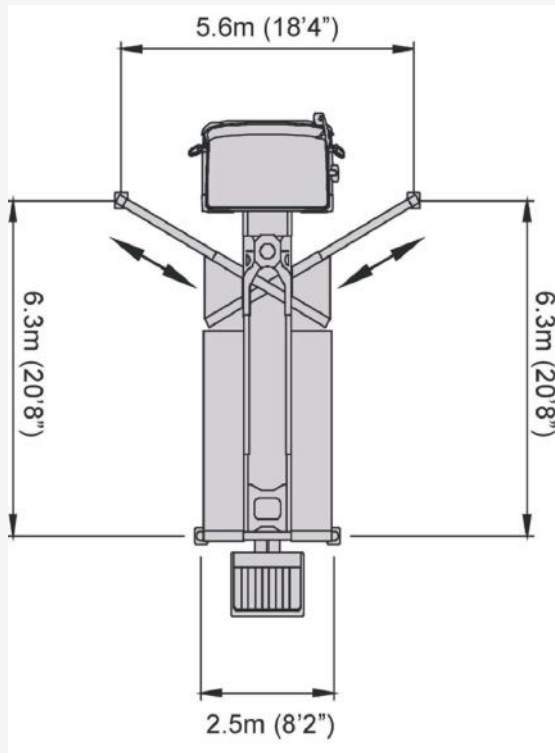


CHASSIS

| MAKE/MODEL | FRONT AXLE | REAR AXLE | OVERALL LENGTH | TOTAL WEIGHT |
|---------------------------|------------|------------|----------------|--------------|
| CAB OVER | 15,900 lbs | 29,940 lbs | 34'11"/10.6m | 45,890 lbs |
| SMALL CONVENTIONAL | 12,600 lbs | 28,500 lbs | 33'10"/10.3m | 41,100 lbs |

DIAGRAMS

OUTRIGGER EXTENSION



BOOM PUMP REACH

