

47M

JXRZ 47-5.20



GENERAL

PIPE SIZE (ID)	125 mm (5")
BOOM CONTROL VALVE	Proportional (by HAWE)
RADIO REMOTE	Dual Wireless Transmitter System
VIBRATOR	Standard
WATER PUMP	Hydraulic Power 20 bar (290 psi)
WATER TANK	800 L (211 G)
WEAR PARTS	Carbide
POPULAR UPGRADES [†]	<ul style="list-style-type: none"> • LED Boom Light Kit • LED Outrigger Lights • Heated Water Tank • Heated Hydraulic Tank • Air-Cuff • Twin Wall Pipe • 18 Cell Pump Kit

BOOM

NUMBER OF BOOMS	5 Sections
FOLDING TYPE	RZ Fold
VERTICAL HEIGHT	46.5 m (152'7")
HORIZONTAL REACH	42.5 m (139'5")
UNFOLDING HEIGHT	10 m (32'10")
1ST SECTION	9.3 m (30'6")
2ND SECTION	7.8 m (25'7")
3RD SECTION	7.8 m (25'7")
4TH SECTION	8.8 m (28'10")
5TH SECTION	8.8 m (28'10")
OUTRIGGER	X-Style
FRONT SPREAD	8.6 m (28'3")
REAR SPREAD	9.8 m (32'2")

[†]More options available, ask your sales rep for details.

PUMP

OUTPUT:	Rod Side	N/A
	Piston Side	200 m³/h (262 yd³/h)
PRESSURE:	Rod Side	N/A
	Piston Side	85 BAR (1233 PSI)
CONCRETE CYLINDER DIAMETER	260 mm (10")	
CONCRETE CYLINDER TYPE	Hard Chromed	
STROKE LENGTH	2100 mm (83")	
S-TUBE SIZE	9" x 7"	
MAIN OIL PUMP	Twin Rexroth hydromatic A2OVLO190	
HYDRAULIC SYSTEM PRESSURE	350 bar (5076 psi)	
LUBE SYSTEM (HOPPER)	Automatic	
SWITCHING SYSTEM	Hydraulic	
HOPPER CAPACITY	Easy Clean 600 L (158 G)	
NUMBER OF STROKES/MIN	30	
OUTPUT CONTROL RANGE	20(26)-200m³/h (262yd³/h)	

[†]Not to be used through boom pipe

Alliance Concrete Pumps Inc. reserves the right to make changes to all specifications

ALLIANCECONCRETEPUMPS.COM



USA OFFICE: 800 West Ridge Road, Linwood, PA 19061
Toll Free 1.888.584.7231 | Phone 610.584.7231 | Fax 610.584.7251

CANADA OFFICE: 26162 30A Avenue, Aldergrove, BC V4W 2W5
Toll Free 1.888.870.0908 | Phone 604.607.0908 | Fax 604.607.0903

47M WEIGHTS/DIMENSIONS

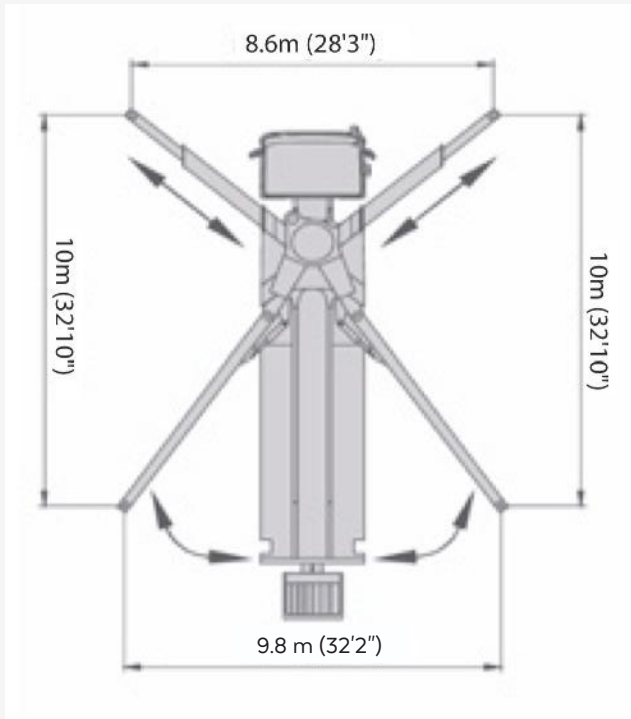


CHASSIS

MAKE/MODEL	FRONT AXLE	REAR AXLE	OVERALL LENGTH	TOTAL WEIGHT
CAB OVER	37,000 lbs	42,800 lbs	42'9" / 13.03m	79,800 lbs

DIAGRAMS

OUTRIGGER EXTENSION



BOOM PUMP REACH

